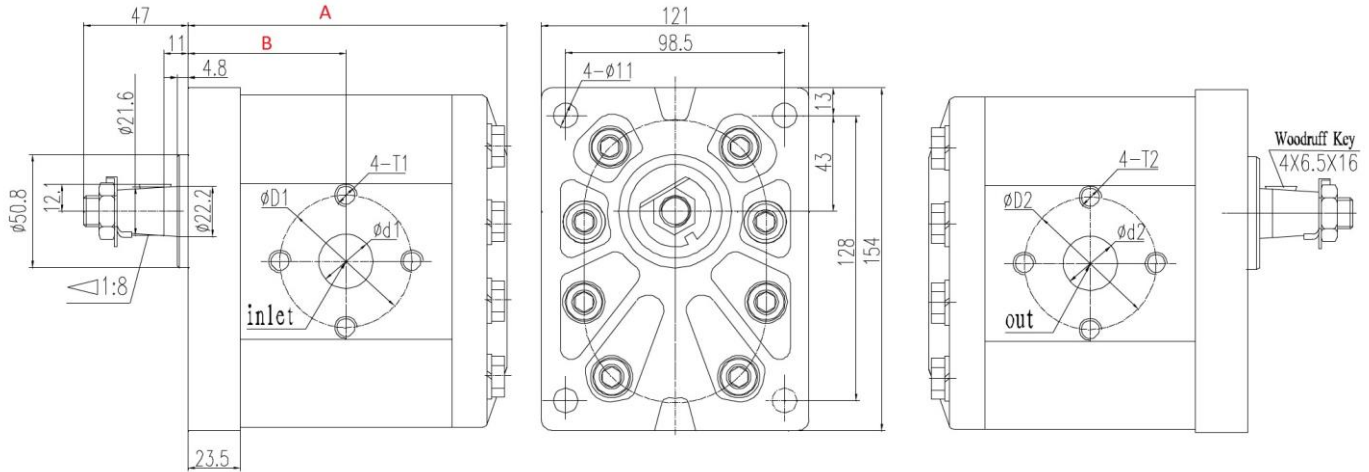


DATASHEET – DIMENSIONS – GR.3



RIGHT

Code	Flow (L/min)	Working pressure (bar)	Max. pressure (bar)	Revolution (rpm)	Suction flange (mm)	Pressure flange (mm)	A (mm)	B (mm)
11877	34	200	250	3000	50	40	137	69,8
11878	39						141	71,8
10945	43						143,5	73
10828	46			146,5			74	
10829	51			149,5			76	
10946	55			152			78	

LEFT

Code	Flow (L/min)	Working pressure (bar)	Max. pressure (bar)	Revolution (rpm)	Suction flange (mm)	Pressure flange (mm)	A (mm)	B (mm)
11879	34	200	250	3000	50	40	137	69,8
11880	39						141	71,8
10953	43						143,5	73
11038	46			146,5			74	
11039	51			149,5			76	
11040	55			152			78	